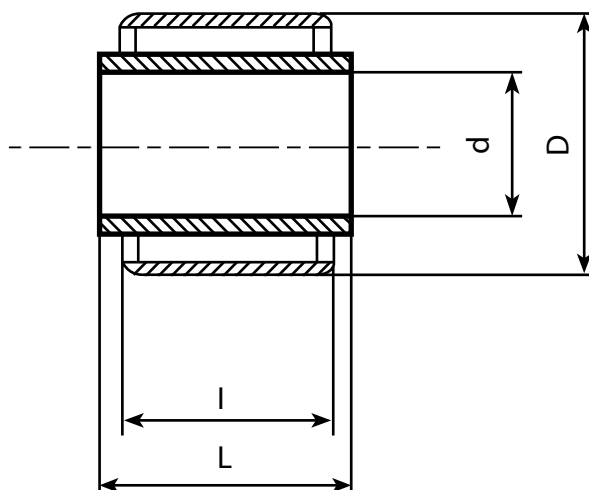


## SILENT BLOCK METAL - RUBBER - METAL



d	D	L	I	FR.
6	16	12	10	068
6	18	17	17	132
8	18	20	15	009
8	20	20	18	128
8	20	28	22	095
8	22	21	19	237
8	22	22	19	082
8	22	24	21	001
8	25	22	19	150
8	25	24	19	153
8	25	30	27	111
8,5	34	29	20	177
10	19	41	36	7
10	20	21	18	117
10	20	30	27	13
10	20	30	28	109
10	20	36	30	110
10	22	17	15	002
10	22	20	16	011
10	22	20	16	141
10	22	20	17	178
10	22	21	19	123
10	22	22	19	003
10	22	23	20	004
10	22	24	20	121
10	22	24	21	005
10	22	30	26	161
10	22	40	30	014
10	25	21	19	155
10	25	22	19	149
10	25	24	19	154
10	25	26	19	159

The data shown are for guidance only.  
Customer are recommended to contact us for further technical information on products and applications.  
We reserve the right to change specifications or withdraw products without notice.

## SILENT BLOCK METAL - RUBBER - METAL



d	D	L	I	FR.
10	25	30	27	097
10	25	35	32	146
10	25	36	33	140
10	25	40	29	136
10	25	41	35	173
10	26	20	15	216
10	26	30	19	214
10	27	30	28	023
10	27	51	45	100
10	28	22	20	127
10	28	30	20	167
10	28	30	20	180
10	28	30	20	185
10	30	22	19	130
10	30	22	19	176
10	30	30	25	085
10	30	30	25	098
10	30	30	25	138
10	40	30	25	221
10	40	45	35	096
10	46	38	30	186
10	50	45	40	139
q.10	30	22	19	37
q.10	30	22	19	105
q.10	30	22	19	113
q.10	30	30	20	094
q.10	30	30	25	091
q.10	30	30	25	126
q.10	30	30	25	164
q.10	30	43	40	118
10,1	26	20,5	15	038
12	22	30	26	234
12	24	38	35	32
12	25	22	19	148
12	25	24	19	152
12	25	28	23	134
12	25	30	27	158
12	25	32	26	133
12	25	35	32	147
12	25	37	35	187
12	25	40	32	190
12	25	43	32	107
12	25,3	16	15	015
12	26	17	15	227
12	26	24	20	029
12	28	25	20	175

# CATALOG

The data shown are for guidance only.  
Customer are recommended to contact us for further technical information on products and applications.  
We reserve the right to change specifications or withdraw products without notice.

## SILENT BLOCK METAL - RUBBER - METAL

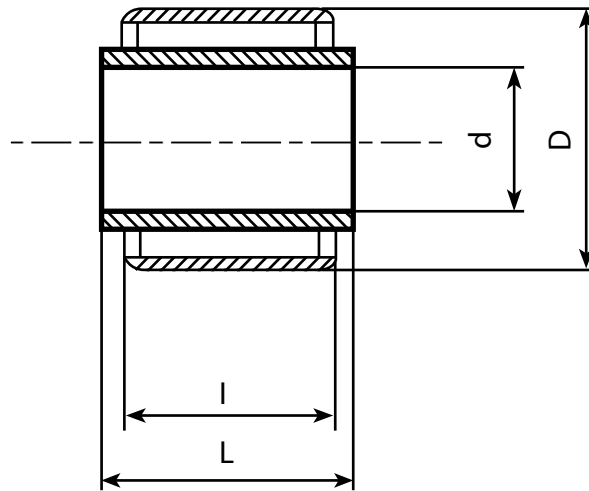


d	D	L	I	FR.
12	28	28	24	235
12	30	22	19	104
12	30	30	25	030
12	30	46	40	033
12	30	57	20	101
12	34	29	20	192
12	34	41	35	172
12	34	47	36	142
12	36	41	35	040
12	40	45	35	193
13	25	32	25	120
13	32	50	40	036
14	25	17	15	102
14	25	22	19	151
14	26	20	15	217
14	32	33	30	086
14	41	76	51	039
14,5	34	45,5	36	115
16	25	17	15	240
16	26	22	20	129
16	26	22,5	15	226
16	26	26	24	179
16	32	32	25	42
16	32	32	28	080
16	32	60	50	045
16	33	59	53	083
16	36	38	35	087
16	36	67	60	064
16	40	22	22	233
18	34	33	30	048
18	36	50,8	39,4	046
19	40	22	22	162
19	57	86	70	103
19,5	57	86	70	051
20	39	40	32	184
20	40	40	32	049
24	52	66	60	057
24	57	108	102	058
30	60	101	98	062
30	65	92	88	060
30	65	102	98	061
30	65	122	117	063
30	68	104	104	065
32	66	55	47	144
32	51	14	14	084
36	72	80	88	059

The data shown are for guidance only.  
Customer are recommended to contact us for further technical information on products and applications.  
We reserve the right to change specifications or withdraw products without notice.

# CATALOG

## SILENT BLOCK METAL - RUBBER - NYLON



d	D	L	I	FR.
8	25	20	19	017
8	25	21	19	125
8	25	22	19	018
8	25	24	19	019
8	25	24	19	202
8	25	30	27	156
8	25	32	27	194
8	25	32	27	205
8	25	37	32	198
8	25	37	32	209
10	25	35	25	006
10	25	20	19	020
10	25	21	19	099
10	25	22	19	021
10	25	24	19	022
10	25	24	19	203
10	25	26	19	145
10	25	30	27	135
10	25	32	27	206
10	25	32	27	195
10	25	35	32	025
10	25	37	32	199
10	25	37	32	210
10	30	30	25	024

The data shown are for guidance only.  
 Customer are recommended to contact us for further technical information on products and applications.  
 We reserve the right to change specifications or withdraw products without notice.

# CATALOG

## SILENT BLOCK METAL - RUBBER - NYLON

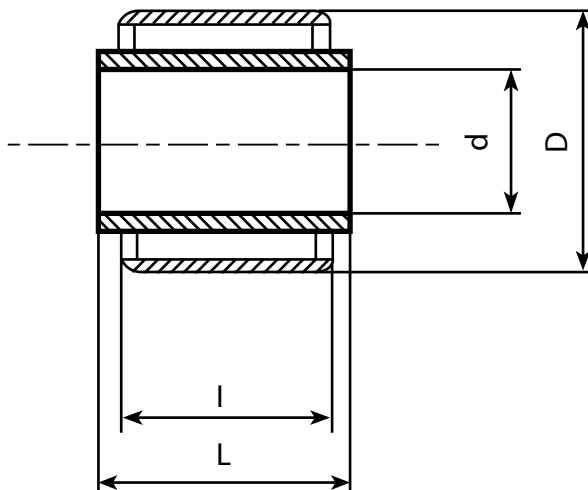


d	D	L	I	FR.
10,5	25	35	32	174
12	25	20	19	026
12	25	22	19	027
12	25	24	19	028
12	25	24	19	204
12	25	30	27	157
12	25	32	27	196
12	25	32	27	207
12	25	35	32	031
12	25	37	32	200
12	25	37	32	211
12	63	74	40	239
13	25	24	19	119
14	25	20	19	034
14	25	22	19	035
14	25	24	19	189
14	25	24	19	213
14	25	32	27	197
14	25	32	27	208
14	25	37	32	201
14	25	37	32	212
16	32	32	25	041

# CATALOG

The data shown are for guidance only.  
Customer are recommended to contact us for further technical information on products and applications.  
We reserve the right to change specifications or withdraw products without notice.

## SILENT BLOCK NYLON - RUBBER - NYLON

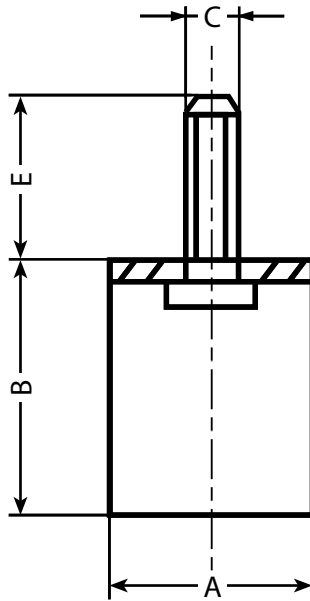


<b>d</b>	<b>D</b>	<b>L</b>	<b>I</b>	<b>FR.</b>
16	63	41	40	163
16	72	89,9	72	124

# CATALOG

The data shown are for guidance only.  
Customer are recommended to contact us for further technical information on products and applications.  
We reserve the right to change specifications or withdraw products without notice.

## CYLINDRICAL ANTI VIBRATION SINGLE MALE

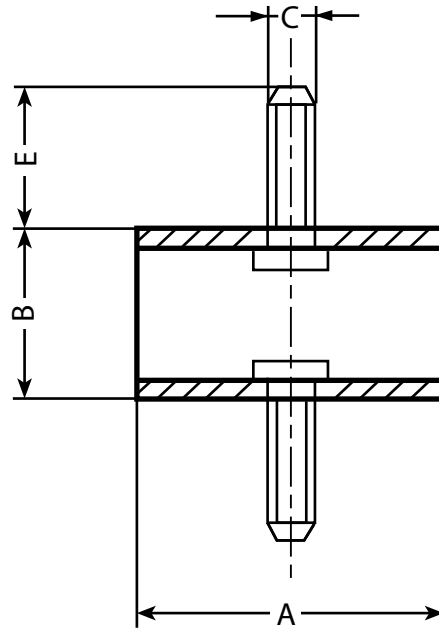


A	B	C	E
10	10	M4	8
10	15	M4	8
15	10	M4	10
15	15	M4	10
15	20	M4	10
15	30	M4	10
20	10	M6	10-12-16-20
20	15	M6	10-12-16
20	20	M6	10-12-16
20	25	M6	10-12-16
20	30	M6	10-12-16
20	35	M6	10-12-16
25	10	M6	12-16-18
25	15	M6	10-12-16-18
25	20	M6	12-16-18
25	25	M6	12-16-18
25	30	M6	12-16-18
25	35	M6	12-16-18
25	40	M6	12-16-18
25	15	M8	12-14
25	25	M8	12-18
30	20	M6	18
30	20	M8	23
30	30	M8	25
40	20	M8	25
40	40	M8	25
50	50	M8	25
60	40	M10	20
75	25	M12	37
75	40	M12	28
100	100	M16	45

The data shown are for guidance only.  
 Customer are recommended to contact us for further technical information on products and applications.  
 We reserve the right to change specifications or withdraw products without notice.

CATALOG

## CYLINDRICAL ANTI VIBRATION MALE MALE



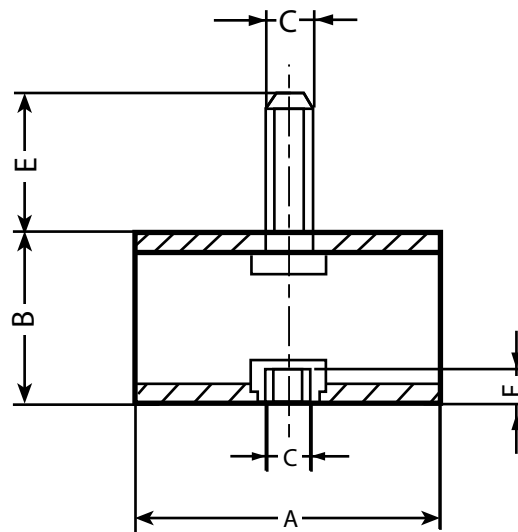
A	B	C	E
10	10	M4	8
10	15	M4	8
15	10	M4	10
15	15	M4	10
15	20	M4	10
15	30	M4	10
20	10	M6	10-12-16
20	15	M6	10-12-16
20	20	M6	10-12-16
20	25	M6	10-12-16
20	30	M6	10-12-16
20	35	M6	10-12-16
25	10	M6	12-16-18
25	15	M6	12-16-18
25	20	M6	12-16-18
25	20	M6	12-16-18
25	25	M6	12-16-18
25	30	M6	12-16-18
25	35	M6	12-16-18
25	40	M6	12-16-18
25	15	M8	12-14
25	25	M8	12-18
30	20	M6	18
30	30	M8	25
40	20	M8	25
40	40	M8	25
50	50	M8	25
60	40	M10	20
75	40	M12	28
100	100	M16	45

The data shown are for guidance only.  
Customer are recommended to contact us for further technical information on products and applications.  
We reserve the right to change specifications or withdraw products without notice.

CATALOG



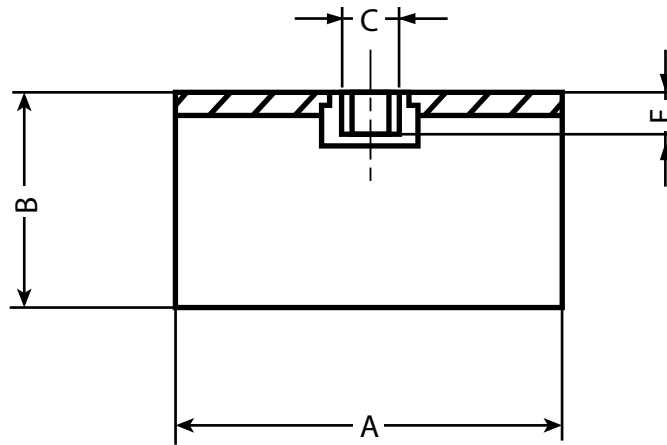
# CYLINDRICAL ANTI VIBRATION MALE FEMALE



A	B	C	E	F
10	10	M4	8	4
10	15	M4	8	4
15	10	M4	10	4
15	15	M4	10	4
15	20	M4	10	4
15	30	M4	10	4
20	10	M6	10-12-16	4
20	15	M6	10-12-16	6
20	20	M6	10-12-16	6
20	25	M6	10-12-16	6
20	30	M6	10-12-16	6
20	35	M6	10-12-16	6
25	10	M6	12-16-18	8
25	15	M6	12-16-18	8
25	15	M8	14	6
25	20	M6	12-16-18	8
25	20	M6	10	5
25	20	M6	18	5
25	20	M6	12-16-18	8
25	25	M6	12-16-18	8
25	30	M6	12-16-18	8
25	35	M6	12-16-18	8
25	40	M6	12-16-18	8
25	15	M8	12-14	6
25	25	M8	12-18	6
30	20	M8	23	8
30	30	M8	25	8
40	20	M8	25	6
40	40	M8	25	10
50	50	M8	25	10
60	40	M10	20	9
75	40	M12	28	12
100	100	M16	45	14

The data shown are for guidance only.  
 Customer are recommended to contact us for further technical information on products and applications.  
 We reserve the right to change specifications or withdraw products without notice.

# CYLINDRICAL ANTI VIBRATION SINGLE FEMALE

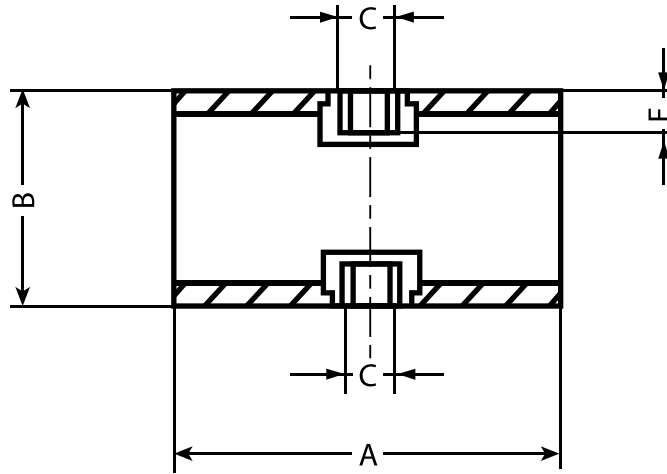


A	B	C	F
10	10	M4	4
10	15	M4	4
15	10	M4	4
15	15	M4	4
15	15	M5	3
15	20	M4	4
15	30	M4	4
20	10	M6	4
20	15	M6	4-6
20	20	M6	4-6
20	25	M6	4-6
20	30	M6	4-6
20	35	M6	4-6
25	10	M6	6-8
25	15	M6	6-8
25	20	M6	6-8
25	20	M6	6-8
25	25	M6	6-8
25	30	M6	6-8
25	35	M6	6-8
25	40	M6	6-8
25	15	M8	6
25	25	M8	6
30	30	M8	6-8
40	20	M8	6
40	40	M8	6-10
60	40	M10	9
75	40	M12	9-13
100	100	M16	14-16

CATALOG

The data shown are for guidance only.  
 Customer are recommended to contact us for further technical information on products and applications.  
 We reserve the right to change specifications or withdraw products without notice.

# CYLINDRICAL ANTI VIBRATION FEMALE FEMALE



A	B	C	F
10	15	M4	4
15	15	M4	4
15	20	M4	4
15	30	M4	4
20	15	M6	4-6
20	20	M6	4-6
20	25	M6	4-6
20	30	M6	4-6
20	35	M6	4-6
25	20	M6	6-8
25	20	M6	6-8
25	25	M6	6-8
25	30	M6	6-8
25	35	M6	6-8
25	40	M6	6-8
25	15	M8	6
25	25	M8	6
30	20	M8	6
30	30	M8	6-8
40	20	M8	6
40	40	M8	6-10
50	37	M10	10
60	40	M10	9
75	40	M12	9-13
100	100	M16	14-16

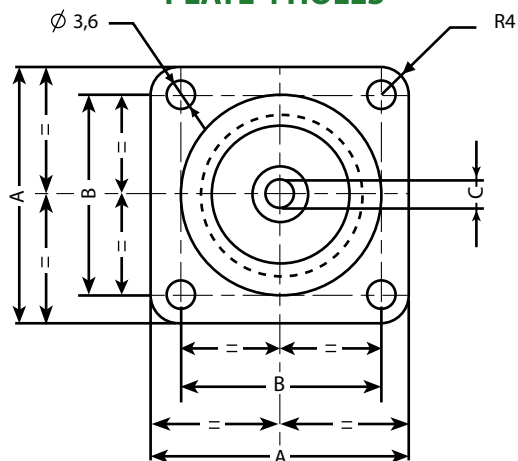
The data shown are for guidance only.  
 Customer are recommended to contact us for further technical information on products and applications.  
 We reserve the right to change specifications or withdraw products without notice.

# CATALOG

## DIFFERENT ANTIVIBRATION

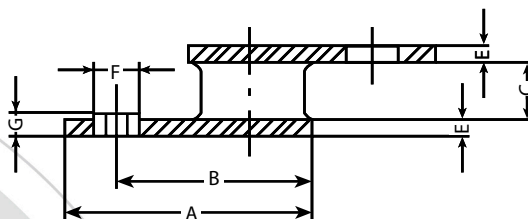


### PLATE 4 HOLES



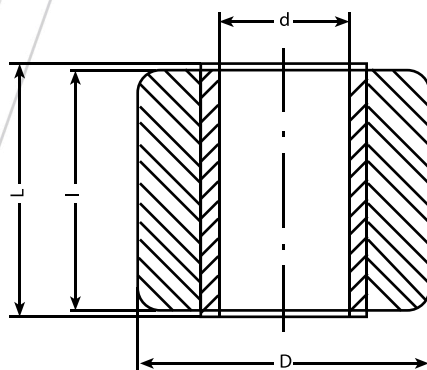
A	B	C	altezza C	FR.
32	25	4	10	077

### SILENCER ANTI VIBRATION



A	B	C	E	F	G	FR.
41	32	10	2,5	M6	4	079

### EURO

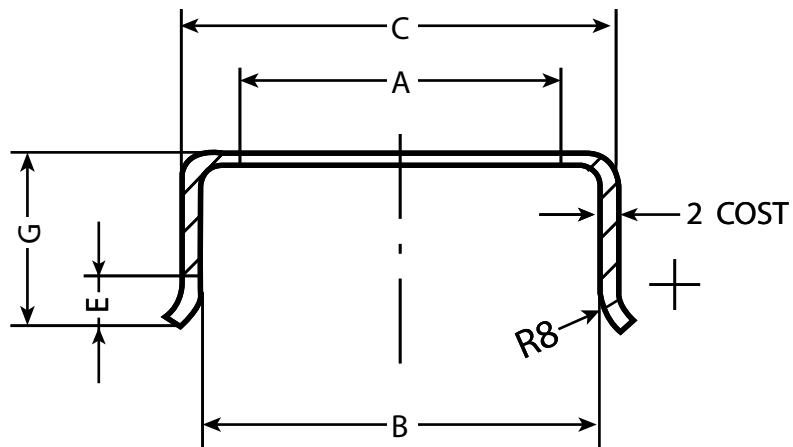


d	D	L	I	FR.
16	34	28	27	112
12	46	40	34	215
16	33,4	14	14	236
25	82	55	32	066
10	20	14	15	166

The data shown are for guidance only.  
Customer are recommended to contact us for further technical information on products and applications.  
We reserve the right to change specifications or withdraw products without notice.

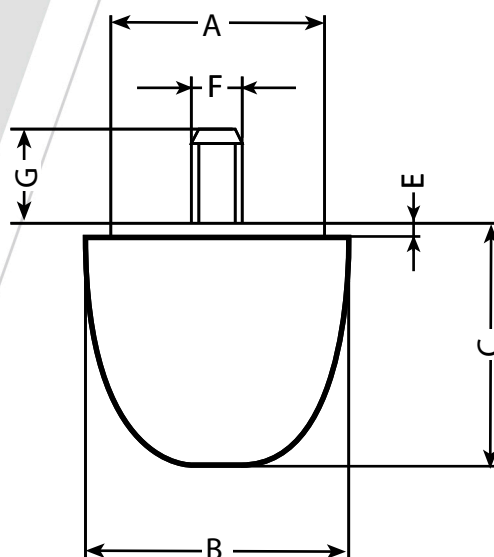


**BUFFER CONTAINER BELL-SHAPED**



A	B	C	E	G	FR.
34	43	47	5,5	19	114/E

**BUFFER SPRING**



A	B	C	E	F	G	FR.
34	40	34	2	M8	15	114/l

The data shown are for guidance only.  
 Customer are recommended to contact us for further technical information on products and applications.  
 We reserve the right to change specifications or withdraw products without notice.